



SUNPOWER TECHNOLOGY CORP.
 16F-1, No.150, Jian Yi Rd., Chung Ho City, Taipei Hsien, Taiwan, R.O.C.
 TEL: 886-2-8226-3100 FAX: 886-2-8226-3111
 http://www.sunpower.com.tw
 E-mail: sunpower@sunpower.com.tw

SPS-350P-xx Series

350W, Single Output
 Active P.F.C Function



212 x 115 x 50 mm
 8.35 x 4.53 x 1.97 inch



Features:

- * Universal AC input with active PFC circuit, P.F.>0.95
- * Power ON with LED indicator
- * Built in EMI filter, low ripple noise
- * Over voltage protection
- * Over load & short circuit protection
- * Over temperature protection
- * Output voltage $\pm 10\%$ adjustment
- * Output voltage remote sense
- * Remote control ON/OFF (Optional)
- * 100% full load burn-in test
- * UL, cUL, TUV, CB, CE standard
- * 3 years warranty

Specification:

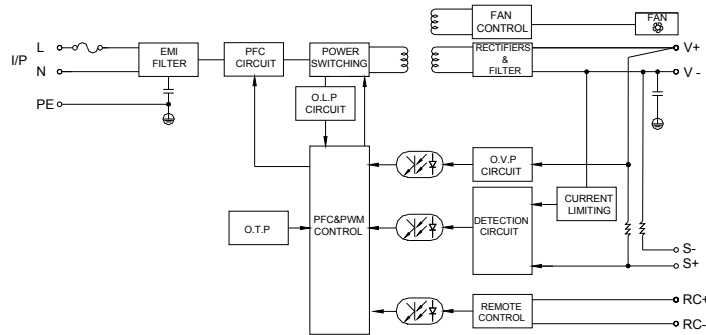
| | | | | | | | | | | |
|-------------|---------------------------|---|-------------|--------------|-------------|-------------|-------------|--------------|-------------|--|
| INPUT | Voltage | 85V ~ 264VAC universal full range or 120V ~ 375VDC. | | | | | | | | |
| | Frequency | 47 ---- 63 Hz | | | | | | | | |
| | Current | <4.7A @100V AC input, full load condition | | | | | | | | |
| | Inrush Current | <35A@115V , <70A@230V AC input. Cold start at 25°C ambient | | | | | | | | |
| | Leakage Current | <1.5mA@264V AC input | | | | | | | | |
| | Power Factor | PF > 0.95 | | | | | | | | |
| OUTPUT | MODEL No. | SPS-350P-3.3 | SPS-350P-05 | SPS-350P-7.5 | SPS-350P-12 | SPS-350P-15 | SPS-350P-24 | SPS-350P-36 | SPS-350P-48 | |
| | Voltage | 3.3V | 5V | 7.5V | 12V | 15V | 24V | 36V | 48V | |
| | Min Load | 0A | 0A | 0A | 0A | 0A | 0A | 0A | 0A | |
| | Max Load | 60A | 55A | 42A | 29.2A | 23.4A | 14.7A | 9.8A | 7.5A | |
| | Output Tolerance ② | $\pm 3\%$ | $\pm 2\%$ | $\pm 1\%$ | $\pm 1\%$ | $\pm 1\%$ | $\pm 1\%$ | $\pm 1\%$ | $\pm 1\%$ | |
| | Ripple Noise MAX. ③ | 70mV | 70mV | 80mV | 120mV | 120mV | 200mV | 200mV | 200mV | |
| | Efficiency (TYP.) | 74% | 79% | 82% | 85% | 85% | 86% | 86% | 88% | |
| Output MAX. | 198W | 275W | 315W | 350W | 351W | 353W | 353W | 360W | | |
| PROTECTION | Over Voltage | 3.8V~4.6V | 5.8V~7.0V | 8.6V~10.5V | 13.8V~16.8V | 17.3V~21.0V | 27.6V~33.6V | 41.4V~ 50.4V | 55.2V~67.2V | |
| | | Shutdown and latch off, recover after re-start up. | | | | | | | | |
| | Over Load & Short Circuit | When power supply over 105%~ 150 max load or short circuit acted, power supply will be constant current limiting and recover automatically after the fault is removed. | | | | | | | | |
| | Over Temperature | Over 95°C \pm 5°C Shutdown, recovers automatically after fault condition has been removed. | | | | | | | | |
| ELEC. CHAR. | Rise time | <40mS | | | | | | | | |
| | Hold up time | >20mS@230V, full load condition | | | | | | | | |
| | Setup time | <2.0S@100 ~ 240V AC | | | | | | | | |
| | Remote sensing | (RS+, RS-). | | | | | | | | |
| ENVIRONMENT | Remote Control | Option. RC+/RC-: 0~0.7V= Power On; 3~5V= Power Off. Sink Current: 3~10 mA | | | | | | | | |
| | Temperature ④ | Operating: -20 ~ +70°C ; De-rating: 50 ~ 70°C : 2.0%/°C ; Storage: -40 ~ +85°C | | | | | | | | |
| | Humidity | Operating: 20% ~ 85% RH; Storage: 10% ~ 95% RH (non condensing) | | | | | | | | |
| SAFETY | Withstand voltage | I/P-O/P:3KVAC, I/P-PE:1.5KVAC, O/P-PE:0.5KVAC, 1minute | | | | | | | | |
| | Isolation resistance | I/P-O/P, I/P-PE, O/P-PE >100M Ω /500VDC at 25°C / 70% RH | | | | | | | | |
| | Safety standard | UL 60950-1 2 nd , CSA C22.2 No. 60950-1- 07 1 st , TUV EN 60950-1:2006, IEC 60950-1:2005, standard | | | | | | | | |
| EMC | EMI | EN 55022 CLASS B 、 FCC CFR 47 PART 15 CLASS B 、 CNS 13438 CLASS B. | | | | | | | | |
| | EMS | Compliance to EN61000-3-2 CLASS D, EN61000-3-3 EN 55024 : EN 61000-4-2,3,4,5,6,8,11 | | | | | | | | |
| OTHERS | Cooling | Forced airflow cooling with DC fan, the fan will be active when internal temperature reach 40°C \pm 5°C | | | | | | | | |
| | M.T.B.F. | 192.2 K hours | | | | | | | | |
| | Dimension | 212 x 115 x 50 mm (L*W*H) | | | | | | | | |
| | Packing | N.W.:1.12 Kg / 1pc; 15pcs / 1.44 CUFT / 1 CTN | | | | | | | | |
| NOTE | | ① All measurements which not mentioned are based on 230VAC input, output Max at ambient 25°C / 70%RH | | | | | | | | |
| | | ② Output tolerance included set up voltage, line regulation and load regulation. | | | | | | | | |
| | | ③ Ripple & noise are measured at 100~254VAC input with 0~50°C condition and 20MHz of bandwidth by using a 10" ~15" twisted pair-wire terminated with a 0.1uF & a 47uF parallel capacitor. | | | | | | | | |
| | | ④ The operating temperature shall follow the de-rating curve in spec The output load may be requested for decreasing as de-rating curve in spec when low input voltage is under 100VAC.. | | | | | | | | |
| | | ⑤ The power supply is considered a component of end-equipment. The end-equipment must be re-confirmed whether comply with EMC directives. | | | | | | | | |
| | | ⑥ A sound may occur from power supply at pulse loading. | | | | | | | | |



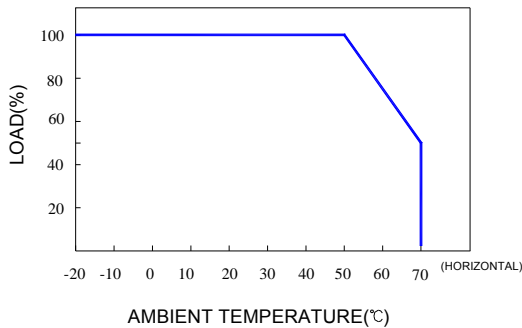
SUNPOWER TECHNOLOGY CORP.
 16F-1, No.150, Jian Yi Rd., Chung Ho City, Taipei Hsien, Taiwan, R.O.C.
 TEL: 886-2-8226-3100 FAX: 886-2-8226-3111
 http://www.sunpower.com.tw
 E-mail: sunpower@sunpower.com.tw

SPS-350P-xx Series

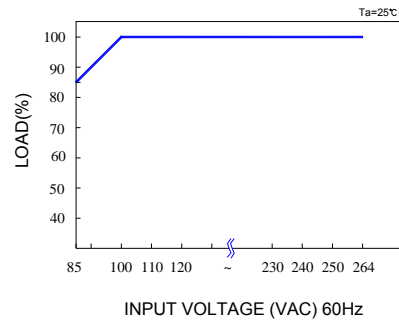
Block Diagram : PS7



De-rating Curve :

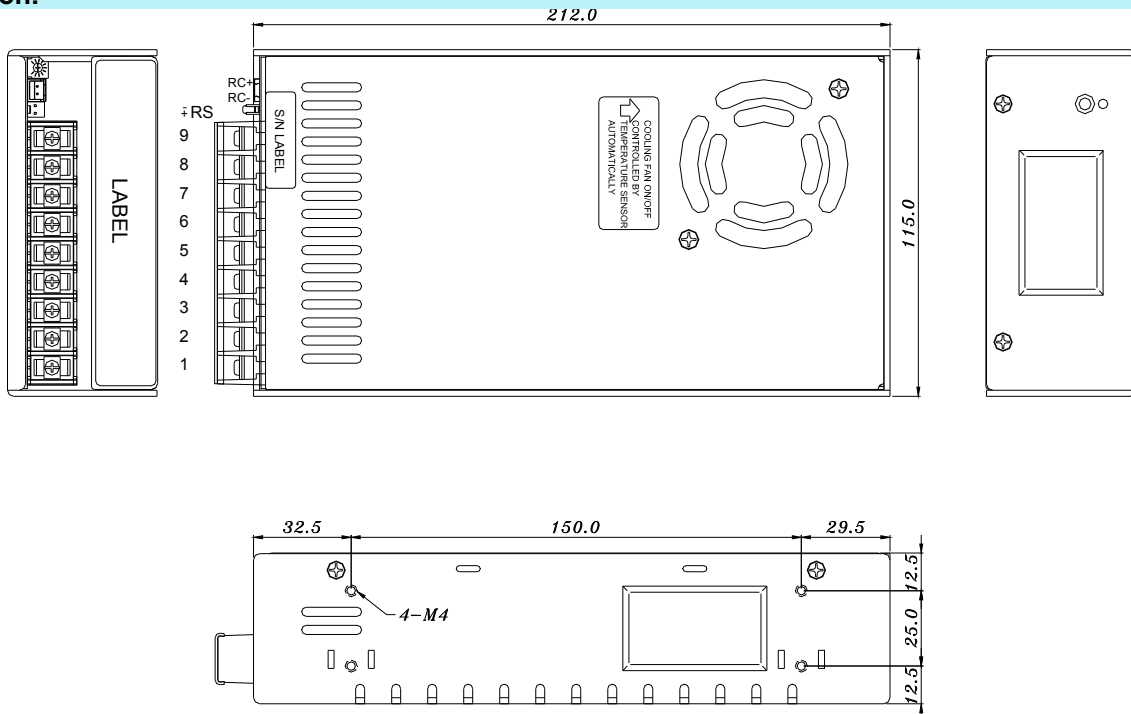


Output De-rating Vs Input Voltage :



Dimension:

(Unit: mm)



NOTES:

1. TERMINAL BLOCK: 9P, PITCH 9.5mm WITH PC COVER.

| MODEL No. | 1 | 2 | 3 | 4 | 5 | 6 | 7 | 8 | 9 |
|-------------|---|---|----|----|----|----|----|----|----|
| SPS-350P-xx | L | N | PE | -V | -V | -V | +V | +V | +V |