



SUNPOWER TECHNOLOGY CORP.
 16F-1, No.150, Jian 1st Rd., Zhonghe Dist., New Taipei City 235, Taiwan (R.O.C.).
 TEL: 886-2-8226-3100 FAX: 886-2-8226-3111
 http://www.sunpower.com.tw
 E-mail: sunpower@sunpower.com.tw

SPS-G075-xx Series

Single Output
 Green mode function



129 x 95 x 38 mm
 5.08 x 3.74 x 1.50 inch



Features:

- * Green mode design, no load < 0.5W
- * High efficiency and high reliability
- * Power ON with LED indicator
- * Built in EMI filter, low ripple noise
- * Over voltage protection : Shutdown and latch off
- * Over load & short circuit protection : Hiccup mode
- * Output voltage $\pm 10\%$ adjustment
- * 100% full load burn-in test
- * $-20^{\circ}\text{C} \sim 70^{\circ}\text{C}$ Operating temperature
- * UL, cUL, CB, CE approved
- * 3 years warranty

Specification:

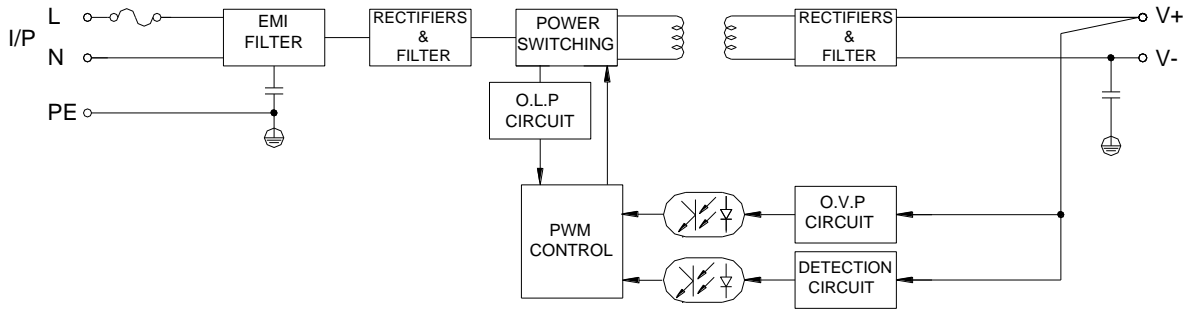
INPUT	Voltage	88V ~ 264VAC universal full range or 125V ~ 375VDC.					
	Frequency	47 ~ 63 Hz					
	Current	<1.8A@100V AC input, full load condition					
	Inrush Current (TYP.)	30A@115V , 50A@230V AC input, Cold start at 25°C ambient					
	Leakage Current	<0.75mA@264V AC input					
OUTPUT	MODEL No.	SPS-G075-05	SPS-G075-12	SPS-G075-15	SPS-G075-24	SPS-G075-30	SPS-G075-48
	Voltage	5V	12V	15V	24V	30V	48V
	Min Load	0A	0A	0A	0A	0A	0A
	Max Load	12A	6A	5A	3.2A	2.5A	1.6A
	Output Tolerance ②	$\pm 2\%$	$\pm 1\%$	$\pm 1\%$	$\pm 1\%$	$\pm 1\%$	$\pm 1\%$
	Ripple Noise MAX. ③	70mV	120mV	150mV	150mV	200mV	200mV
	Efficiency (TYP.)	78%	83%	85%	86%	86%	87%
PROTECTION	Output MAX.	60W	72W	75W	76.8W	75W	76.8W
	Over Voltage	5.8~7.0V	13.8~16.8V	17.3~21.0V	27.6~33.6V	34.5~42.0V	55.2~67.2V
ELEC. CHAR.	Over Load & Short Circuit	Shutdown and latch off, recover after re-start up.					
	Rise time	<30mS					
	Hold up time	>60mS@230V, full load condition					
ENVIRONMENT	Setup time	<1 Sec@100 ~ 240V AC					
	Green mode function	Power consumption at no load < 0.5W at 240VAC input					
	Temperature ④	Operating: $-20 \sim +70^{\circ}\text{C}$; De-rating: $45 \sim 70^{\circ}\text{C}$: 2.5%/°C ; Storage: $-40 \sim +85^{\circ}\text{C}$					
SAFETY	Humidity	Operating: 20% ~ 90% RH (non condensing) ; Storage: 10% ~ 95% RH (non condensing)					
	Altitude	6562 ft (\approx 2000 m) operating					
	Withstand voltage	I/P-O/P:3KVAC, I/P-PE:1.5KVAC, O/P-PE:0.5KVAC, 1minute					
EMC	Isolation resistance	I/P-O/P, I/P-PE, O/P-PE > 100M Ω /500VDC at 25°C/ 70% RH					
	Safety standard	UL 60950-1 2 nd , CSA C22.2 No. 60950-1- 07 2 nd , IEC 60950-1:2005+A1+A2, approved					
	EMI	EN 55032 CLASS B, FCC CFR 47 PART 15 CLASS B					
OTHERS	EMS	Compliance to EN61000-3-2 CLASS A, EN61000-3-3					
	Cooling	EN 55024 : EN 61000-4-2,3,4,5,6,8,11					
	M.T.B.F.	Natural cooling.					
	Terminal pitch	326K hours					
NOTE	Packing	5P / 9.5mm with plastic cover, 90 deg terminal optional (with MOQ)					
	①	All measurements which not mentioned are based on 230VAC input, output Max at ambient 25°C / 70%RH					
	②	Output tolerance included set up voltage, line regulation and load regulation.					
③	Ripple & noise are measured at 100~254VAC input with 10~50°C condition and 20MHz of bandwidth by using a 10" ~15" twisted pair-wire terminated with a 0.1uF & a 47uF parallel capacitor.						
④	The operating temperature shall follow the de-rating curve in spec The output load may be requested for decreasing as de-rating curve in spec when low input voltage is under 100VAC.						
⑤	The power supply is considered a component of end-equipment. The end-equipment must be re-confirmed whether comply with EMC directives.						



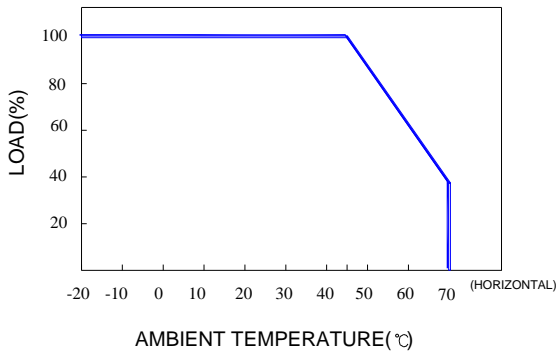
SUNPOWER TECHNOLOGY CORP.
 16F-1, No.150, Jian 1st Rd., Zhonghe Dist., New Taipei City 235, Taiwan (R.O.C.)
 TEL: 886-2-8226-3100 FAX: 886-2-8226-3111
 http://www.sunpower.com.tw
 E-mail: sunpower@sunpower.com.tw

SPS-G075-xx Series

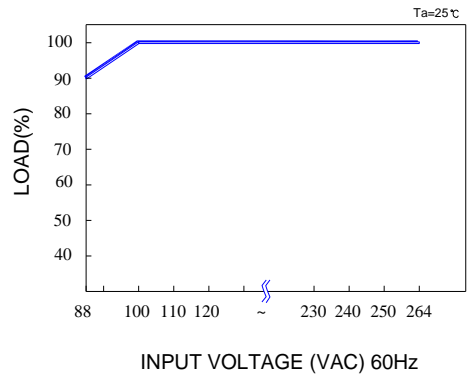
Block Diagram : US2



De-rating Curve :

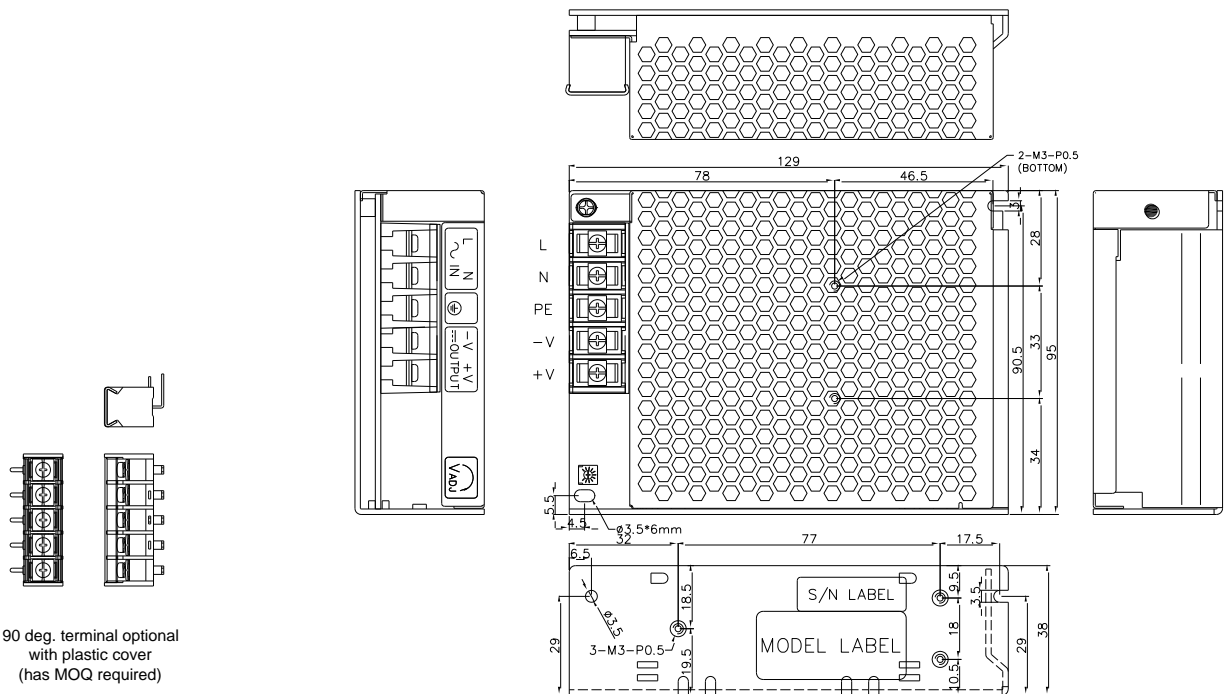


Output De-rating Vs Input Voltage :



Dimension:

(Unit: mm)



Terminal Pin. No Assignment: 5P / 9.5mm with plastic cover

Pin No.	Assignment	Pin No.	Assignment
1	AC/L	4	DC OUTPUT -V
2	AC/N	5	DC OUTPUT +V
3	PE		